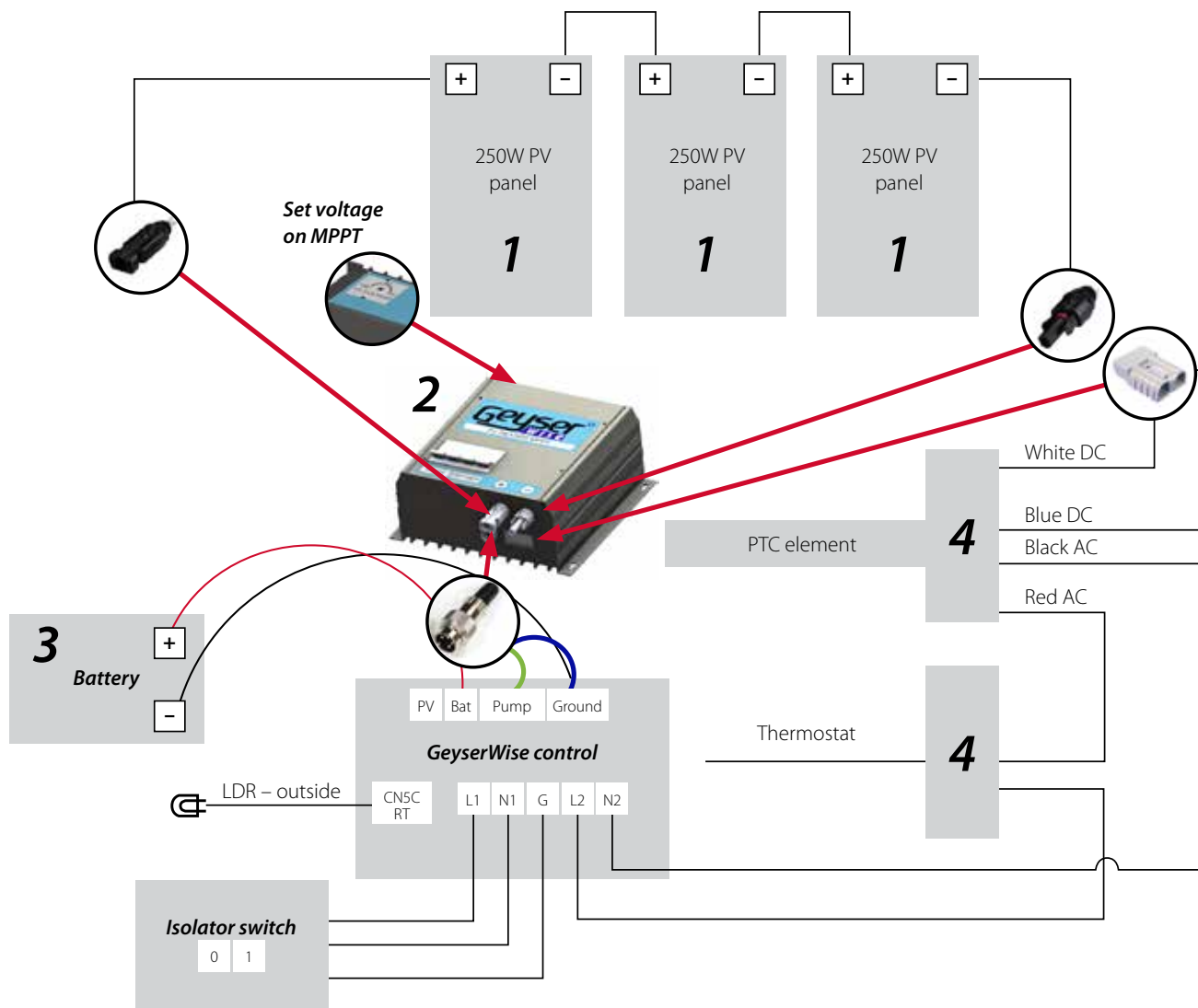


GeyserWise PV Geyser MPPT

For use in GeyserWise PV water heating systems



PV system connection diagramme to retrofit 150L. Also available for 100L and 200L geysers.



Specifications:

Maximum input voltage	150V
Peak efficiency	98%
Maximum output amps	40 AMPS
Ambient temperature	Up to 70°C but de-rated at 1 amp per degree at temperatures above 50°C (do not expose to direct sunlight)
Environmental Indications	IP43 3 LED's Heating (input command from thermostat) Tracking (PV active) Power (device turned on)
Inputs/Outputs Adjustment	- and + signal input / GND and 12V output MPPT range from 60V to 120V (must = PV Vmp)